

# STUART

## MARINE ENGINES

### TYPES P5 & P55

### SPARE PARTS

When ordering spares ALWAYS quote the full Engine Number as well as the Spares Part Number and description.

FAIRWAYS MARINE ENGINEERS  
 BATH PLACE WHARF, DOWNS ROAD,  
 MALDON, ESSEX CM9 7HU  
 Tel: (0621) 52866

Part Nos. marked \* differ in engines with type suffix "A"—see special leaflet

- |            |  |            |   |
|------------|--|------------|---|
| Part No.   | Description                                    | Part No.   | Description   |
| 1824*      | Cylinder                                       | 4316       | Cylinder Head Water Outlet } Replace 4318, 1608 and 4275 on drawing |
| 5164 set   | Cylinder Studs (4 long, 2 short)               | 4317       | Cylinder Head Water Elbow   |
| 1821*      | Cylinder                                       | 6775       | Water Jacket Cover  |
| 4959 set   | Cylinder Studs, Short (4)                      | 6776       | Water Jacket Fixing Dog and Screws                                  |
| 4960 set   | Cylinder Studs, Long (4)                       | 250        | Expansion Chamber Cover   |
| 1827       | Cylinder Head                                  | 4189, each | Expansion Chamber Cover Nuts (4)                                    |
| 1454       | Cylinder Head                                  | 10457      | Expansion Chamber Cover   |
| 3513 each  | Cylinder Head Nuts (6)                         | 4189 each  | Expansion Chamber Cover Nuts (8)                                    |
| 4343       | Cylinder Head Pipe Union Body                  | 00363 each | Expansion Chamber Studs   |
| 03616 set  | Cylinder Head Studs (5)                        | 00364 each | Expansion Chamber Studs   |
| 3513 each  | Cylinder Head Nuts (13)                        | 2988       | Expansion Chamber Drain Plug  |
| 5422       | Cylinder Head Water Outlet                     | 1825       | Exhaust Outlet  |
| 11914      | Cylinder Drain Plug                            | 6035       | Exhaust Outlet  |
| 6775       | Water Jacket Cover                             | 1826       | Exhaust Outlet Cover (with water inlet nipple)                      |
| 6776       | Water Jacket Fixing Dog and Screws             | 5165       | Exhaust Outlet Cover  |
| 250        | Expansion Chamber Cover                        | 8853 set   | Exhaust Outlet Studs (3)  |
| 4189, each | Expansion Chamber Cover Nuts (4)               | 4189 each  | Exhaust Outlet Nuts (3)   |
| 10457      | Expansion Chamber Cover                        | 40416      | Piston complete (Oversize Pistons + .010")                          |
| 4189 each  | Expansion Chamber Cover Nuts (8)               | 20566      | Piston Rings (4" wide)  |
| 00363 each | Expansion Chamber Studs                        | 3237       | Piston Rings (4" wide)  |
| 00364 each | Expansion Chamber Studs                        |            |   |
| 2988       | Expansion Chamber Drain Plug                   |            |   |
| 1825       | Exhaust Outlet                                 |            |   |
| 6035       | Exhaust Outlet                                 |            |   |
| 1826       | Exhaust Outlet Cover (with water inlet nipple) |            |   |
| 5165       | Exhaust Outlet Cover                           |            |   |
| 8853 set   | Exhaust Outlet Studs (3)                       |            |   |
| 4189 each  | Exhaust Outlet Nuts (3)                        |            |   |
| 40416      | Piston complete (Oversize Pistons + .010")     |            |   |
| 20566      | Piston Rings (4" wide)                         |            |   |
| 3237       | Piston Rings (4" wide)                         |            |   |

P55  
 P55  
 P55  
 P55

P55  
 P55  
 P55  
 P55

P55  
 P55

P55

P55

P55

P55

P55

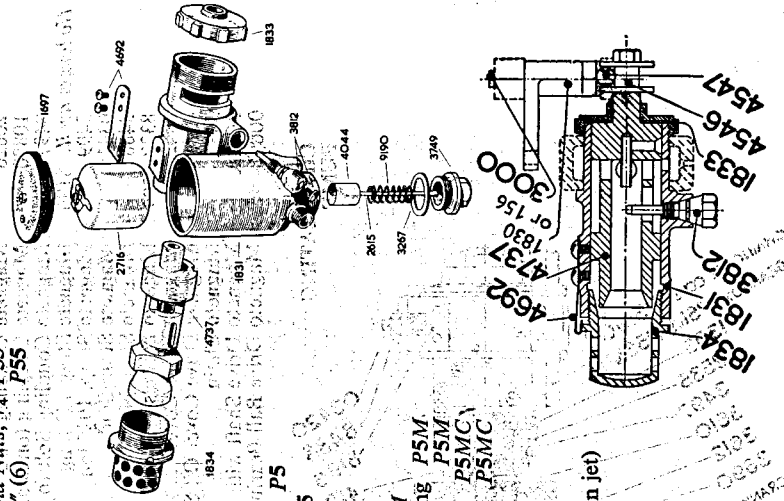
P55

- Part No.
- 3225 Piston Pin
- 3738 each Piston Pin Circlips (2)
- 3220\* Piston Pin Bush
- 21650 Connecting Rod with Race and Bush fitted
- 14724 Connecting Rod Outer Race
- 14723 Connecting Rod Rollers in Cage
- 14861 Crankpin with inner Race
- 5235 each Crankpin Nuts (2)
- 2237 Crankshaft, Flywheel End
- 3598 Crankshaft, Driving End (Reverse Gear)
- 3477 Crankshaft, Driving End (Cent. Clutch)
- 3973 Crankshaft, Centre Section

(Send Crankshaft and Connecting Rod to us for renewal of any of these parts)

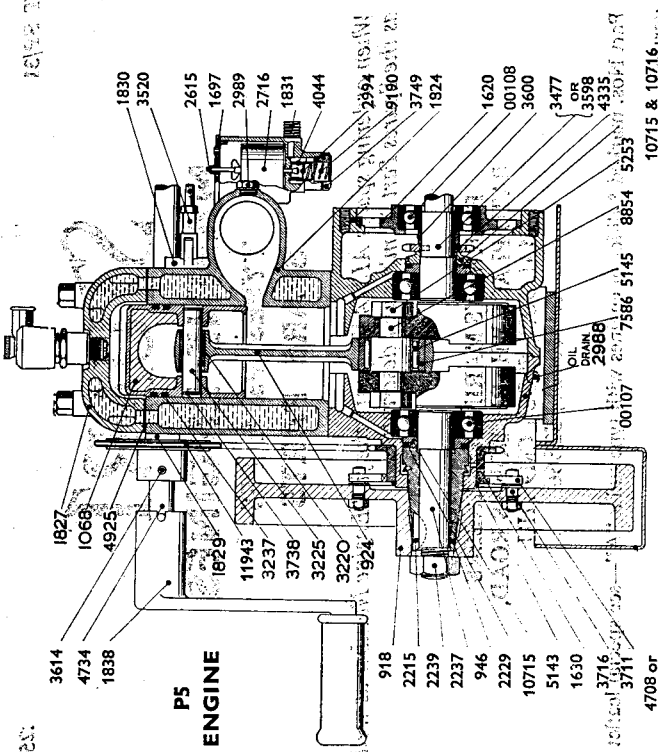
- 00107 Ball Bearing (2), Size 1 1/8" x 2 3/8" x 1 1/8"
- 1456F Bearing (Flanged), Crankshaft Centre
- 1456P Bearing (Plain), Crankshaft Centre
- 918 Flywheel
- 2215 Flywheel Key
- 2239 Flywheel Nut
- 14752B Compression Sleeve, Short, Flywheel End
- 14752D Compression Sleeve, Long, Driving End
- 14815 each Compression Seal (2)
- 14751 Flywheel Collet
- 6838S Crankcase, Complete (Assembled)
- 3983\* pair Crankcase Clamping Rods and Nuts, 8" P55
- 3984\* pair Crankcase Clamping Rods and Nuts, 7 1/4" P55
- 4361 each Crankcase Bolts and Nuts, 1" (6) P55
- 2988 Crankcase Drain Plug
- 7765 each Crankcase Gauze Plug (2)
- 3817 Dipstick
- 4335 Sprocket (Magneto Drive)
- 4703 Dowel (Magneto Drive)
- 3600 Dowel Distance Piece
- 00108 Ball Race (1" x 2 1/4" x 3/4")
- 1620 Ball Race Housing
- 4362 each Ball Race Bolts (2)

STUART  
CARBURETTOR

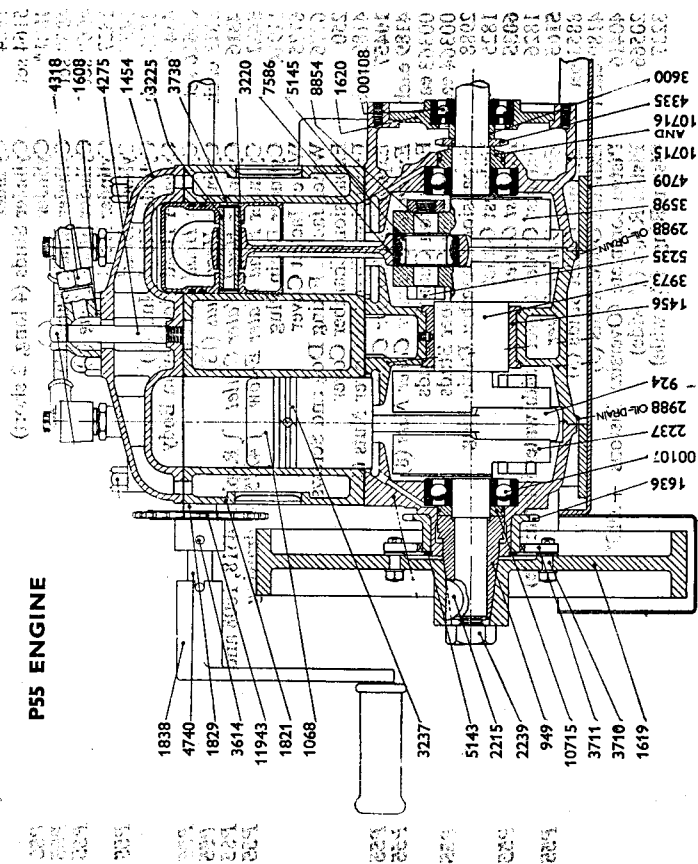


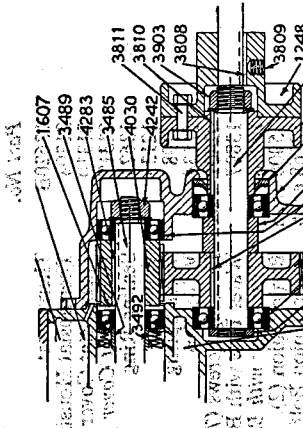
- 00148 Amal Carburettor Conv. Kit P5
- No longer avail. 1831\* Stuart Carb\*tor Body P5
- No longer avail. 4737M Throttle
- 4546 Throttle Collar and Screw
- 4547 Throttle Operating Die
- 1830\* Throttle Control Lever P5M
- 5052 Throttle Control Lever Spring P5M
- 3000 Throttle Control Lever Pin P5MC
- 156\* Throttle Hand Lever P5MC
- 9663 Friction Bracket and Bolt P5MC
- 4692 Air Cap Clip and Screws P5MC
- No longer avail. 2716 Float
- 1697 Float Chamber Cover
- 2615 Float Needle
- 3812 Jet (give number stamped on jet)
- 3749 Filter Chamber
- 2994 Filter Gauze
- 4044 Filter Gauze Holder
- 9902 Filter Gauze Cap
- 3267 Filter Fibre Joint

P5 ENGINE



P55 ENGINE





**REDUCTION GEAR**

Part No.	Description	Notes
6852	Reverse Gear Box Case	None required
1483	Reduction Gear Case	None required
9623	End Cap	None required
1607	Reverse Gear Shaft Washer	None required
00900	Reverse Gear Shaft Nut	None required
4030	Reverse Gear Shaft Pinion	None required
4283	Reverse Gear Shaft Pinion Key	None required
00097	Ball Bearing (1" x 2" x 1/2")	None required
5177	Ball Bearing Circclip	None required
3902a	Driven Shaft and Locknut	None required
3903	Driven Shaft Nut	None required
3998	Driven Shaft Distance Sleeve	None required
00103 each	Ball Bearings (2) (1" x 2 1/4" x 1/2")	None required
4031	Gear Wheel (driven)	None required
4284	Gear Wheel Key	None required
4268	Oil Seal	None required
20707D	Coupling (on engine)	None required

PSM  
PSMC  
P55

PSMC

P5  
P55  
P55  
P5  
P55

**STARTING GEAR**

1838	Handle	
4734	Shaft with Collar	
5257	Shaft with Collar	
4740	Shaft with Collar	
1829	Bearing on Cylinder	
4189 each	Bearing Nuts (2)	
02407	Bearing Adjusting Screw and Nut	
8166	Bracket with Bush on Gearbox	
2504 each	Bracket Bolts and Nuts (2)	
3746	Chain	
11943	Chain Wheel	
3614	Lower Sprocket	
1636	Lower Sprocket Retaining Washer	
5143	Pawls on Flywheel (2)	
3711 each	Pawl Springs (2)	
3832 each	Pawl Studs and Nuts (2)	
3710 each	Pawl Studs and Nuts (2)	

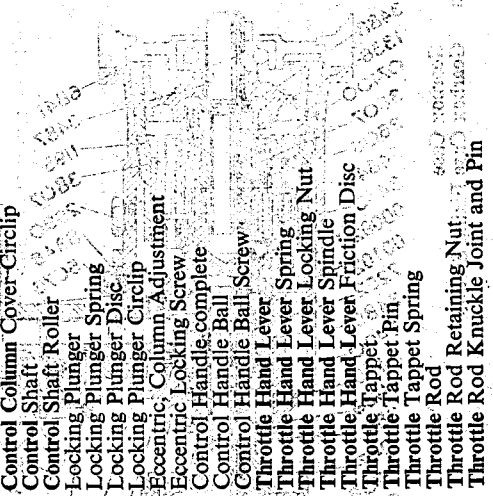
No longer avail. 8426

**THERMOSTAT (Wax Type)**

369	Cylinder Head	
13863	Cylinder Head	
5227 set	Cylinder Long Studs (4)	
10609	Expansion Chamber Cover	
10457	Expansion Chamber Cover	

2980	Filling Plug	
2988	Drain Plug	
1336	Forward Cone	
3487 each	Forward Cone Keys (2)	
3488	Forward Cone Nut	
1195	Clutch Body	
3807	Pinion Housing with Distance Piece	
3831 each	Pinion Housing Bolts and Nuts (3)	
3606	Sun Wheel with Splined Clutch	
9458	Split Bush	
54030	Split Bush Key	
3483 each	Planet Pinions (6)	
00092	Thrust Race	
3485	Shaft	
3484	Shaft Floating Bush	
00102 each	Shaft Ball Bearings (2) (1" x 2" x 1/2")	
3489	Shaft Ball Bearing Distance Sleeve	
3490 each	Shaft Ball Bearing Washers (2)	
20707B	Coupling (on engine)	
20707D	Coupling Key	
3810	Coupling Washer	
2706	Coupling Nut	
00900	Coupling Bolts with Nuts and Washers 1 1/4" (3)	
3811 each	Coupling (propeller shaft) 1 1/4"	
20705B	Coupling (propeller shaft) 1"	
20705D	Coupling (propeller shaft) 1 1/8"	
20705E	Coupling Key	
3808	Coupling Grub Screw (2)	
3809 each	Operating Sleeve	
6021	Operating Sleeve Springs (18)	
7252 set	Operating Sleeve Guide Screw	
5242	Oil Seal	
5869	Control Column	
6840	Control Column Cover	
6084	Oiler	
11820	Control Column Cover-Circlip	
5866	Control Shaft	
Control Shaft	Control Shaft	
8193	Locking Plunger	
5243	Locking Plunger Spring	
8195	Locking Plunger Disc	
8264	Locking Plunger Circclip	
8422	Eccentric Column Adjustment	
8348	Eccentric Locking Screw	
5076	Control Handle Complete	
6394a	Control Handle Ball	
5288	Control Handle Ball Screw	
5289	Throttle Hand Lever	
21587	Throttle Hand Lever Spring	
13909D	Throttle Hand Lever Locking Nut	
12365H	Throttle Hand Lever Spindle	
14197	Throttle Hand Lever Friction Disc	
12463D	Throttle Tappet	
12490	Throttle Tappet Pin	
30284Z	Throttle Tappet Spring	
5989	Throttle Rod	
12492	Throttle Rod Retaining Nut	
4319	Throttle Rod Knuckle Joint and Pin	
13407B	Throttle Rod Knuckle Joint and Pin	

P5MIP55M  
PSMRIP55MR



No longer avail. 8192

Part No.

- 13620B Thermostat
- 21308 Thermostat Housing
- 21310 Thermostat Cover
- 21317 Thermostat Cover
- 13623 Sealing Ring
- 12133 Valve
- 4798 Valve Spring
- 12134 Valve Cap
- 02401 each Housing Screws (7)
- 13897 Water Pipe with Banjo Unions
- 13898 Water Pipe with Banjo Unions
- 15008 each Banjo Union (2)
- 12768 each Banjo Union Bolt (2)
- 10617 each Banjo Union Washers (4)

PS  
PS  
P55

PS  
PS  
P55

SAILING CLUTCH (reverse gear models)

- No longer avail. 20855 Drum
- 30374b Body
- 5076 each Body Allen Screws (3)
- No longer avail. 12696b Shaft
- 9640 each Shaft Allen Screws (6)
- 5017 each Driving Pins (6)
- 12347 each Driving Pin Sleeves (6)
- 073004 set Driving Pin Retaining Screws (6)
- 00097 each Ball Bearings (2)
- 12697 Ball Bearing Distance Piece
- 9994 Ball Bearing Circlip
- 05900 Ball Bearing Washer
- 00900 Ball Bearing Nut
- 20762 each Shoe (6)
- 12859 set Shoe Lining (6)
- 36300 set Shoe Lining Screws (24)
- No longer avail. 12358 set Springs (6)
- 5132 set Spring Pins (6)
- 20858 Coupling, 1" Shaft
- 9895 Coupling Key
- 20858G Coupling, 1 1/2" Shaft
- 9887 Coupling Key
- 02502 each Coupling Fixing Bolts (3)
- 3809 each Coupling Grubscrew (2)

CENTRIFUGAL CLUTCH (non-reversing engine, PSMC)

- 00900 Crankshaft Nut
- 05900 Crankshaft Washer
- 6855 Chaincase Cover with Magneto Platform
- 6392 Body
- 3810 Body Key
- 6397 each Shoes (3)
- 5834 each Shoe Pins (3)
- 7596 each Springs (6)
- 5836 each Spring Anchor Pins (6)
- 6389 Drum with Lining fitted
- 5993 Lining and Rivets
- 00106 Bearing (7/8" x 2 1/4" x 1 1/2")
- 5041 Coupling (propeller Shaft)
- 3808 Coupling Key
- 3809 each Coupling Grub Screw (2)
- 02503 each Coupling Fixing Bolts (3)

PETROL PUMP

- 8595 Circulating Pump Gear Cover
- 8587 Circulating Pump Body
- 8585 Circulating Pump Shaft
- 8584 Circulating Pump Shaft
- 8586 Push Rod
- 6904 Push Rod Guide
- 8619 Petrol Pump (complete)
- 13013 Petrol Pump Diaphragm
- 8723 Pipe, with Banjo Union Pump to Carburettor
- 8722 Pipe, with Banjo Union Pump to Carburettor
- 03506 each Studs and Nuts (2)

P5  
P55

P5  
P55

JOINTS

- 4364 Complete Set
- 4365 Complete Set
- 4925 Cylinder Head
- 21623 Cylinder Head
- 4931 Cylinder Base
- 4935 Cylinder Base
- 7764 each Water Jacket Cover (2)
- 7764 Water Jacket Cover (1)
- 4930 each Exhaust Outlet (2)
- 4933 Expansion Chamber
- 4936 Expansion Chamber
- 7513 Carburettor Mounting Flange
- 5809 Reverse Gear Case
- 5808 Magneto Drive Cover
- 8486 Circulating Pump Gear Cover
- 7079 Circulating Pump Body
- 8487 Control Column
- 3267 Filter Chamber
- 5783 Reduction Gear Case
- 8857 Petrol Pump

P5  
P55  
P5  
P55  
P5  
P55  
P5  
P55  
P55

- No longer avail. 8692 Petrol Pump Push Rod Guide
- No longer avail. 9590 Thermostat Housing
- 13867 Thermostat Cover (Wax Type)
- 13866 Thermostat Cover (Wax Type)

P5  
P5  
P55

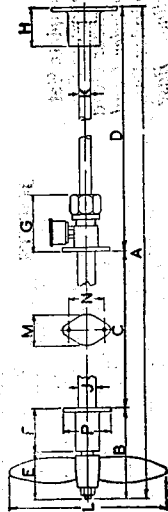
- 3814 Propeller Nut and Split Pin, PSM
- 4225 Propeller Nut and Split Pin, P5MR, P55M
- 4029 Propeller Nut and Split Pin, P5MR, P55M
- 3815 Propeller Key, PSM
- 8700 Propeller Key, P5MR, P55M
- 8701 Propeller Key, P5MR, P55M
- 3835 Inboard Bearing Lock Nut, P5M

P5  
P55

FOR PROPELLERS, SHAFTS, STERN TUBES, SEACOCKS, TANKS

Part No.

- Inboard Bearing Lock Nut, all others
- Inboard Bearing Gland Nut, P5M
- Inboard Bearing Packing
- Inboard Bearing Gland Nut, P5MR, P5SM
- Inboard Bearing Gland Ring
- Inboard Bearing Packing
- Inboard Bearing Gland Nut, P5SMR
- Inboard Bearing Gland Ring
- Inboard Bearing Packing
- Inboard Bearing Gland Nut, P5SMR
- Inboard Bearing Gland Ring
- Inboard Bearing Packing
- Inboard Bearing Greaser
- Outboard Bearing Rubber liner only, P5M
- Outboard Bearing Rubber liner only, P5MR, P5SM
- Outboard Bearing Rubber liner only, P5SMR



DIMENSIONS OF STANDARD STERN GEAR

Engine	A	B	C	D	E	F	G	H	J	K	L*	M	N	P	
P5M	72	6 1/2	12	5 3/8	3 1/2	2 7/8	3 1/2	2 1/2	1 1/2	1 1/2	10	11	2	2 1/2	3 1/2
P5MC															
P5MR	72	8 3/8	12	5 1/8	4	4 3/8	4 3/8	2 1/2	1 1/2	1	14	16	2 1/2	3	4
P5SM	72	8 3/8	12	5 1/8	4	4 3/8	4 3/8	2 1/2	1 1/2	1 1/2	12	14	2 1/2	3	4
P5SMR	72	9	12	5 1/8	4 3/8	4 3/8	4 3/8	2 1/2	1 1/2	1 1/2	16	18	2 1/2	3	4

†Three-bladed propeller. \*Two-bladed propeller can be supplied when desired.  
 Dimension A—The shaft is 7 1/8" long, the end being 3" from the face of the coupling.

INSTALLATION EQUIPMENT

- Exhaust Silencer, 18" x 4"
- Exhaust Silencer, 18" x 5"
- Exhaust Pipe 1 1/2" to Silencer (3ft.) with Nuts
- Exhaust Pipe 1 1/2" to Silencer (3ft.) with Nuts
- Exhaust Tail Pipe 1" (3ft.) with Nuts
- Exhaust Union Nuts (to Silencer) (2)
- Exhaust Union Nuts (to Silencer) (2)
- Exhaust Union Nuts (Tail Pipe) (2)
- Exhaust Skin Fitting Washer
- Exhaust skin Fitting Locknut

FOR PROPELLERS, SHAFTS, STERN TUBES, SEACOCKS, TANKS

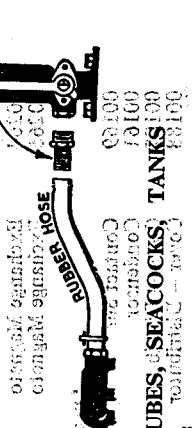
—See Publ. 265

FOR PROPELLERS, SHAFTS, STERN TUBES, SEACOCKS, TANKS

Part No.

- Seacock and Strainer with Scoop
- Seacock Strainer, only (4 1/2" long)
- Seacock Cap only
- Seacock Scoop only
- Seacock and Strainer with scoop
- Seacock Strainer only (2 1/2" long)
- Seacock Cap only
- Seacock Scoop only
- Water Inlet Pipe Per ft.
- Water Union Nut, extra
- Water Union Nut, extra
- Water Union Olive, extra
- Water Union Olive, extra
- Water Outlet Pipe, Per ft.
- Water Outlet Pipe, Per ft.
- Water Outlet Skinfitting Washer
- Water Outlet Skinfitting Washer
- Water Outlet Skinfitting Locknut
- Water Outlet Skinfitting Locknut
- Bilge Pumping Strainer
- Hose Per ft.
- Hose Clips (2)
- Hose Union on Seacock
- Hose Union on Seacock
- Petrol Pipe 5/16" dia. Per ft.
- Petrol Tank, Oval, 16 1/2" x 11" x 5 1/2", 3 gallon
- Petrol Tank, Oval, 22 1/2" x 13 1/2" x 7", 6 gallon
- Petrol Tank Filler Cap and Chain
- Petrol Tap and Filter (complete)
- Petrol Tap on Carburettor
- Petrol 3-Way Tap (for 2 fuel tanks)
- Engine Tray (without flywheel trough)
- Engine Tray (without flywheel trough)
- Engine Tray Coach Screw
- Ignition Switch
- Ignition Switch Wire (4ft.)

Bilge Pumping Equipment



FOR PROPELLERS, SHAFTS, STERN TUBES, SEACOCKS, TANKS

—See Publ. 265

**TOOLS**

All Bolts are B.S.F. Standard  
Spanners of one size smaller. That is  $\frac{1}{8}$ " B.S.F. and  $\frac{1}{4}$ " Whitworth are the same size.

Part No.	Description
2280	Flat Spanner, $\frac{1}{4}$ " x $\frac{1}{8}$ " B.S.F.
2284	Flat Spanner, $\frac{1}{4}$ " x $\frac{1}{8}$ " B.S.F.
8851	Box Spanner, $\frac{1}{4}$ " x $\frac{1}{8}$ " B.S.F.
2294	Ring Spanner, $\frac{1}{4}$ " B.S.F.
13548	Ring Spanner Jet, P5
2297	Grub Screw Key (coupling)
2298	Grub Screw Key (gear box)
13952	Water Pump Valve Cap Spanner

**Special Tools for complete overhaul:**

2199M	Complete Kit comprising
7791	Pliers for removing circlips (see instruction book)
6415A	Crankpin extractor with bolt 2 1/2" long
7018	Extractor Sleeve, 2 1/4" long
7019	Extractor Sleeve, 2 1/4" long
7370	Long Extractor Bolt, 4 1/2" long
5287	Crankpin Assembly Nut
6871A	Tool for removing and fitting gudgeon pin and small end bush of con-rod, in all Stuart Engines (see instruction book)

Comprising:—Body (6871), Bolt (8428), Handle (8427), Bush for P type Engine (8429).

00285	Stuart Green Enamel (Approx. 125 ml)
20758	Petrol Funnel with waterproof gauge filter
7409	Oil Measure
00179	Corks — Petrol Tap
00156	Coil H.T.
00174	Contact Set
00162	Condensor
00190	Cover — Distributor
00101	Cover — Distributor
00189	Cover — Coil
00376	Terminal Screw Cap
00378	Terminal H.T. Lead

**Exchange Wipac Magnets**

00264	Exchange Magneto
00265	Exchange Magneto

**Lucas SR Magneto Spares**

00169	Contact Set
00161	Condensor
00187	Cover — Distributor
00188	Cover — Distributor